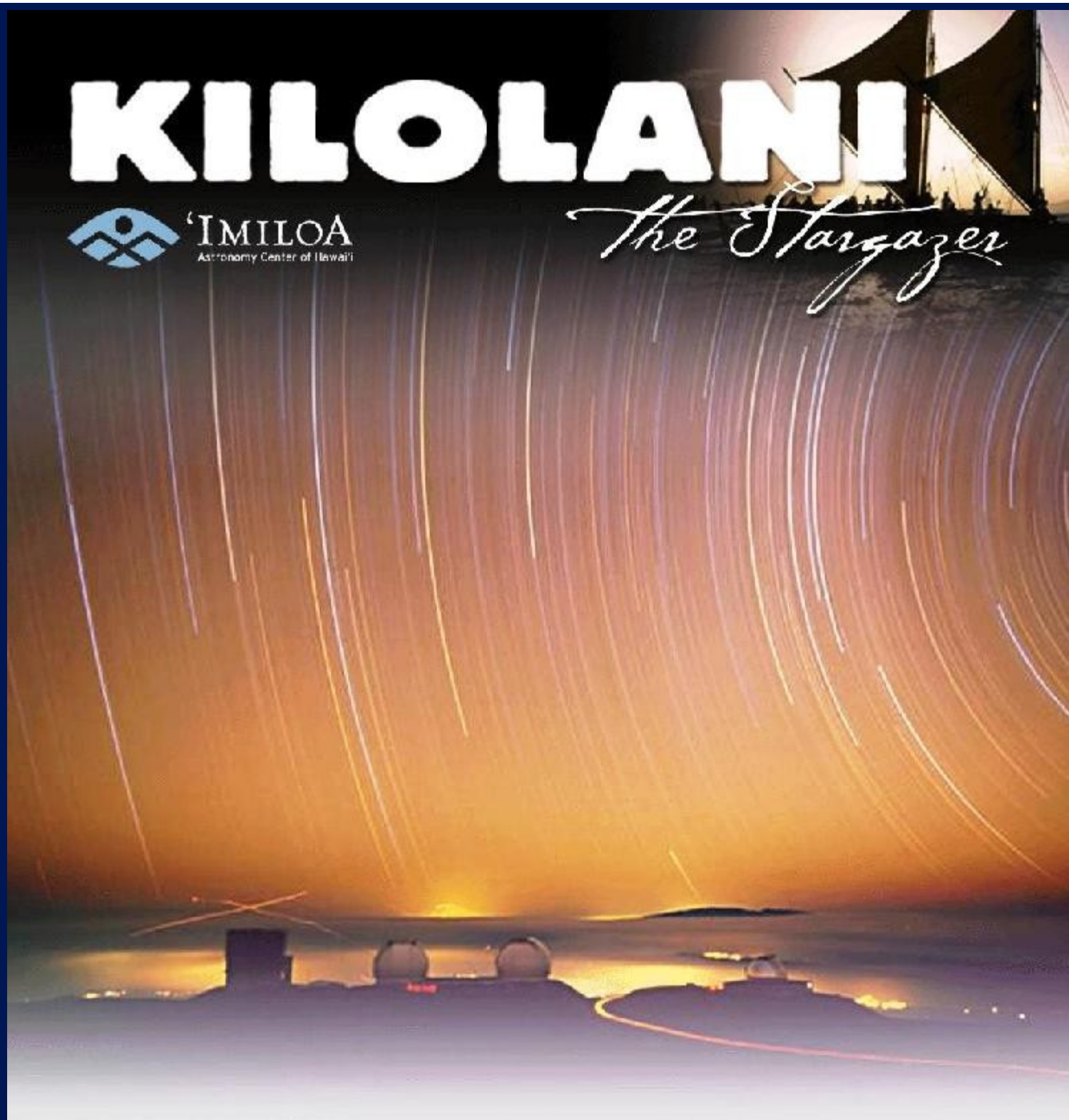


# KILOLANI



'IMILOA  
Astronomy Center of Hawaii

*The Stargazer*



Aloha mai!

Welcome to 'Imiloa's monthly membership e-newsletter, *Kilolani*. Please send your comments and feedback to our Membership and Development Office at [membership@imiloahawaii.org](mailto:membership@imiloahawaii.org) or call (808) 969-9732.

'Imiloa Astronomy Center is open from 9:00 am to 4:00 pm, Tuesday through Sunday, and on these holidays: Memorial Day, King Kamehameha Day, Independence Day (Fourth of July) and Labor Day. We're closed on Thanksgiving, Christmas and New Year's Day.

---

### Calendar of Events at a Glance

-- details provided below

**2009:** International Year of Astronomy (IYA)

**Every Saturday:** Keiki Kilohoku Korner activities from 9:30 am to 11:00 am  
10:00 am *Legends of the Night Sky: Orion*

**November 6:** Furlough Fridays Science Fun

**November 6:** *Laser Beatles* at 7:30 pm and *Laser Zeppelin* at 9:00 pm - NEW rock shows

**November 7:** *Origins of Life* - NEW planetarium show

**November 7:** *Legends of the Night Sky: Orion* returns

**November 13:** *Laser Beatles* at 7:30 pm and *Laser Zeppelin* at 9:00 pm

**November 15:** 'Imiloa planetarium closed (no planetarium shows); FREE admission to exhibit hall

**November 20:** Furlough Fridays Science Fun

**November 20:** *Laser Beatles* at 7:30 pm and *Laser Zeppelin* at 9:00 pm

**November 21:** HELCO Big Island VEX Tournament

**November 21:** *Maunakea Directors' Lecture Series* with Dr. David James of the UHH Telescope at 7:00 pm

**November 26:** Thanksgiving - 'Imiloa is closed

**November 27:** *Laser Beatles* at 7:30 pm and *Laser Zeppelin* at 9:00 pm

**November 28:** *Laser Holidays* at 12:00 pm

**November 28:** *Mystery of the Christmas Star* returns for the holidays, replacing the 3:00 pm *Origins of Life*

**December 3:** Member Mahalo Holiday Party!

**December 5:** *Laser Holidays* at 12:00 pm

**December 10:** BrushBot FESTival at 'Imiloa

**December 11:** *Laser Hypnotica* begins - 7:30 pm and 9:00 pm

**December 12:** *Laser Holidays* at 12:00 pm

**December 18:** *Laser Hypnotica* at 7:30 pm and 9:00 pm

**December 19:** *Laser Holidays* at 12:00 pm

**December 19:** *Maunakea Directors' Lecture Series* with Dr. Mike Bolte of the UC Observatories at 7:00 pm

**December 25:** Christmas Day - 'Imiloa is closed

**January 1:** New Year's Day - 'Imiloa is closed

**January 8:** *Laser Hypnotica* at 7:30 pm and 9:00 pm

**January 15:** *Laser Hypnotica* at 7:30 pm and 9:00 pm

Questions about any of the above events? Call our front desk at 969-9703.

## Planetarium Schedule

### Fall 2009 (Starting November 7)

#### Monday

'Imiloa Astronomy Center is closed

#### Tuesday

11:00 am - *Maunakea: Between Earth and Sky*

1:00 pm - *Origins of Life*

2:00 pm - *Awesome Light: Discoveries from the Telescopes of Maunakea*

3:00 pm - *Origins of Life* (through Nov. 27)

3:00 pm - *Mystery of the Christmas Star* (beginning Nov. 28 through Dec. 31 **ONLY**)

#### Wednesday

11:00 am - *Maunakea: Between Earth and Sky*

1:00 pm - *Origins of Life*

2:00 pm - *Awesome Light: Discoveries from the Telescopes of Maunakea*

3:00 pm - *Origins of Life* (through Nov. 27)

3:00 pm - *Mystery of the Christmas Star* (beginning Nov. 28 through Dec. 31 **ONLY**)

#### Thursday

11:00 am - *Maunakea: Between Earth and Sky*

1:00 pm - *Origins of Life*

2:00 pm - *Awesome Light: Discoveries from the Telescopes of Maunakea*

3:00 pm - *Origins of Life* (through Nov. 27)

3:00 pm - *Mystery of the Christmas Star* (beginning Nov. 28 through Dec. 31 **ONLY**)

#### Friday

11:00 am - *Maunakea: Between Earth and Sky*

1:00 pm - *Origins of Life*

2:00 pm - *Awesome Light: Discoveries from the Telescopes of Maunakea*

3:00 pm - *Origins of Life* (through Nov. 27)

3:00 pm - *Mystery of the Christmas Star* (beginning Nov. 28 through Dec. 31 **ONLY**)

7:30 pm - *Laser Beatles* (through Dec. 4 - **MUST** purchase tickets)

9:00 pm - *Laser Zeppelin* (through Dec. 4 - **MUST** purchase tickets)

#### Saturday

10:00 am - *Legends of the Night Sky: Orion*

11:00 am - *Maunakea: Between Earth and Sky*

12:00 pm - *Laser Holidays* (Nov. 28 - Dec. 17 **ONLY**)

1:00 pm - *Origins of Life*

2:00 pm - *Awesome Light: Discoveries from the Telescopes of Maunakea*

3:00 pm - *Origins of Life* (through Nov. 27)

3:00 pm - *Mystery of the Christmas Star* (beginning Nov. 28 through Dec. 31 **ONLY**)

#### Sunday

11:00 am - *Maunakea: Between Earth and Sky*

12:00 pm - *Laser Holidays* (Nov. 28 - Dec. 17 **ONLY**)

1:00 pm - *Origins of Life*

2:00 pm - *Awesome Light: Discoveries from the Telescopes of Maunakea*

3:00 pm - *Origins of Life* (through Nov. 27)

3:00 pm - *Mystery of the Christmas Star* (beginning Nov. 28 through Dec. 31 **ONLY**)

*Maunakea: Between Earth and Sky*

Explore the connections between Hawaiian culture and Mauna Kea astronomy with 'Imiloa's signature show. Be immersed in the Hawaiian story of Pele and Poliahu, and the creation of the Hawaiian Islands. Look back into the beginning of the universe and a fly-through of one of the observatories on the summit of Mauna Kea.

*Origins of Life*

Starting off with the Big Bang and moving, in chronological order, this show explores the prebiotic chemistry of the universe, the formation of the stars and solar systems, as well as the first signs of life on our planet. Furthermore, the show also covers the great extinctions, as well as our search for primitive life beyond Earth. *Showing at 1:00 pm daily and 3:00 pm daily through November 27.*

*Awesome Light: Discoveries from the Telescopes of Maunakea*

A look at the most recent discoveries from the Maunakea observatories, including the Canada-France-Hawai'i Telescope, Gemini Observatory, and Subaru Observatory. Learn what makes these observatories unique and how they are helping us understand our place in the universe. The program also includes a live in-depth sky presentation.

*Legends of the Night Sky: Orion*

This colorful and entertaining program is the world's first traditionally animated full-dome movie. The show takes an imaginative look at the stories and legends about Orion, the great hunter of the winter sky. It's an ideal show for families and younger viewers.

*Laser Beatles and Laser Zeppelin*

Our brand new, Friday night, rock shows will make you want to keep on dancing, and singing, all evening long. Each program includes the band's greatest hits, presented with psychedelic laser technology. *Show through December 4.*

*Laser Hypnotica*

A debuting laser rock show playing the modern hits from Fat Boy Slim, Bjork, the Chemical Brothers, and the Crystal Method. *Shows play on December 11 and 18, as well as on January 8 and 15.*

*Laser Holidays*

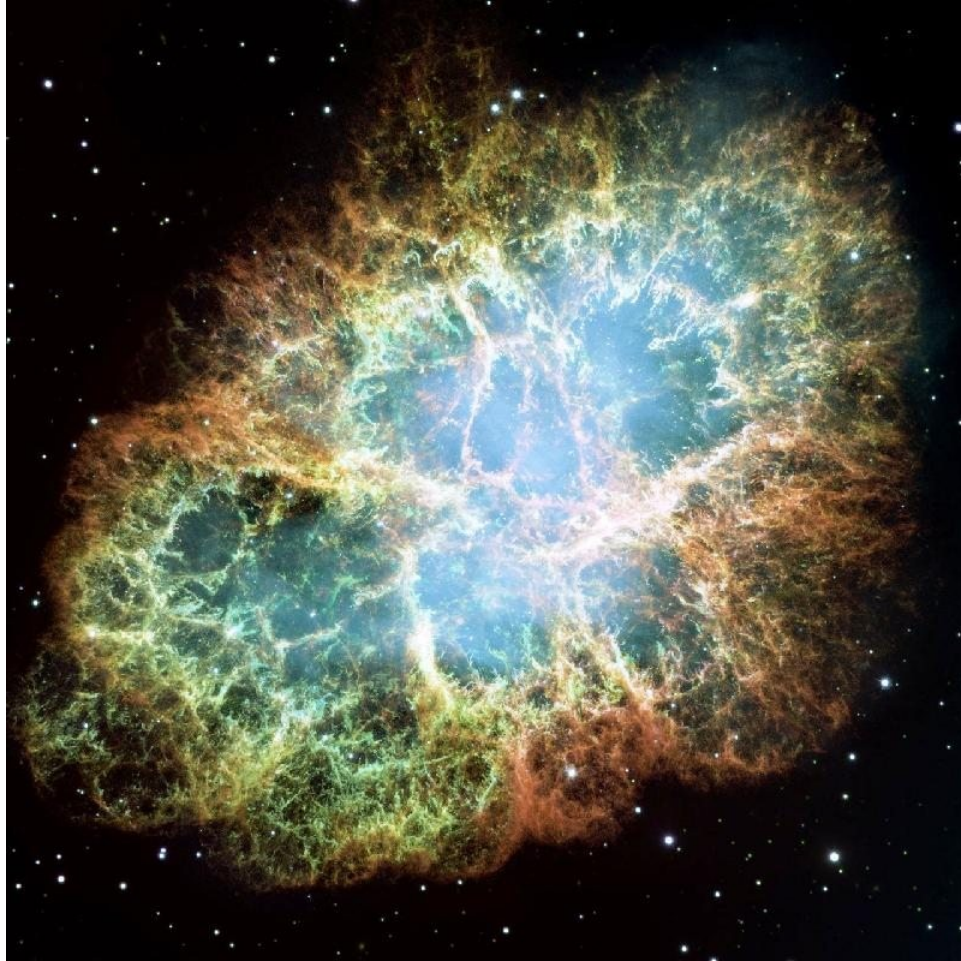
This planetarium show features all of the classic holiday songs. Come see your favorites as you have never seen them before! With titles including "Deck the Halls," "Frosty the Snowman," and "Jingle Bell Rock," this is one holiday event you won't want to miss. *Plays every Saturday and Sunday from November 28 to December 27 at noon.*

*Mystery of the Christmas Star*

Join us on a journey back 2000 years to the town of Bethlehem in order to discover a scientific explanation for the Star that the Wise Men followed to find the baby Jesus. This modern re-telling of the Christmas Story is sure to charm and captivate audiences of all ages. *Plays every day, at 3:00 pm time-slot, from November 28 through December 31, replacing Origins of Life.*

## Image of the Month

### The Crab Nebula: a Stellar Graveyard



[Click here](#) for the explanation of our November Image of the Month!

## Upcoming Events and Activities

## 'Imiloa Museum Theatre Performances

'Imiloa is currently hosting UH Hilo student interns, as well as some Junior Interns from area schools. These interns will be presenting various topics through skits, lectures, and theatre. Almost every day that 'Imiloa is open, these interns give guests the opportunity to learn about an exciting topic -- **FREE** with paid admission.

### A Brief History of the 'Ukulele in Hawai'i

2:00 pm - Tuesdays  
9:30 am - Wednesdays  
9:30 am - Fridays  
12:00 pm and 1:30 pm - Saturdays  
10:45 am and 1:30 pm - Sundays

### Poor Pluto

2:30 pm and 2:45 pm - Tuesdays  
10:00 am and 12:00 pm - Wednesdays  
10:00 am - Fridays  
11:45 am, 12:30 pm, 12:45 pm, and 1:45 pm - Saturdays  
11:45 am, 12:30 pm, 12:45 pm, and 1:45 pm - Sundays



### The Hawaiian Star Compass

12:00 pm - Wednesdays  
12:00 pm - Fridays

### Fly Me to the Moon - FINAL presentation: Sunday, November 22

12:00 pm - Sundays

### To the Moon...and Beyond - FINAL presentation: Sunday, November 22

12:15 pm - Sundays

If you have any questions about the above performances, contact Justina Mattos at 969-9743 or email

[jmattos@imiloahawaii.org](mailto:jmattos@imiloahawaii.org).

## 'Imiloa planetarium closure, but FREE admission

On **Sunday, November 15, 'Imiloa's planetarium will be closed** for a conference. However, the exhibits, store, and restaurant will be open for its regular hours - and admission will be **free** for the general public. There will be **no** planetarium shows that day.

## HELCO Big Island VEX Tournament

On Saturday, November 21, 'Imiloa Astronomy Center will be hosting the HELCO Big Island VEX Tournament. This program was created for, and is focused on, the various robotics clubs in the area schools. Sponsored by HELCO and 'Imiloa, this tournament will qualify teams for three amazing international competitions: the Pan Pacific Championship: Dec. 4-5, the Championship of the Americas VEX Tournament in March, and the VEX Robotics Competition World Championship in April.

### Schedule:



## Hawaii Electric Light Company

9:45am Opening  
10:00am Qualification Matches  
12:00pm Lunch  
1:00pm Qualification Matches  
3:30pm Alliance Selection  
4:00pm Elimination  
5:00pm Awards  
5:30pm Close

7:00am Doors open to volunteers and C3, inspection C3  
7:30am Doors open to teams  
8:00am C3 tournament  
9:00am Practice/Inspection

Contact [art@hipg.hawaii.edu](mailto:art@hipg.hawaii.edu) for more information or call 969-9714.

### BrushBot FESTival - Thursday, December 10

Presented by Art Kimura, Program Director, and Rene Kimura, Education Specialist, along with Future Flight Hawaii, the Hawai'i Space Grant Consortium, and the University of Hawai'i at Manoa, 'Imiloa will be hosting a BrushBot FESTival on Thursday, December 10, from 5:50 pm to 7:50 pm.

In the spirit of the explorers and innovators, Future Flight Hawaii is offering an opportunity for children and their parents to become partners in a night of learning about robots and robotics. Hands-on science activities will be shared where children and their parent partners can interact with the science activities. The students and parents will design and construct their own BrushBot (made from a toothbrush and a mini vibrating motor) and compete in two tournaments: speed racing and jousting. Several science demonstrations will also be provided, along with an overview of opportunities provided by NASA for future scientists and engineers.

#### Schedule

5:50-6:15 pm: registration and begin experiments  
6:15-7:40 pm: overview of robotics, demonstrations and construct BrushBot, compete in tournament  
7:40-7:50 pm: closing demonstrations

Students must be in grades 3-8 and be accompanied by a parent. Registration is on a first come, first serve basis. Program is limited to 75 students/75 parents.

#### Cost

None (each child MUST bring a AAA alkaline battery, a small flat box to work on, a pair of small scissors)

#### To Register

Email the following information to [cmitchell@imiloahawaii.org](mailto:cmitchell@imiloahawaii.org)

Please provide with your email:

Name of student, grade level, school attending, child's teacher

Name of accompanying parent, home or cell phone number, email address

A confirmation will be sent to those registered. A waiting list will be established if the 75 maximum is exceeded. If you are confirmed and are not able to attend, please contact the school so that

someone from the wait list can be registered/confirmed.

## The 2nd Annual Wayfinding and Navigation Festival

### Yet another success!

This year's 2nd Annual Wayfinding and Navigation Festival, held October 16 through the 18, was truly an international event. With impressive hosts from both the navigation community and guests from the society-at-large, the three-day festival brought people from various countries across the globe, all of whom came to 'Imiloa to experience an event that can be found nowhere else.

Each day gave something special and helped to propel the nature of the event: to expand the knowledge and interest in the traditions of wayfinding as a way of celebrating the historic feats of Pacific navigators and current-day efforts to revive those skills.

The daily activities included workshops, demonstrations, documentary screenings, panel presentations, and talks held by noted members of the voyaging community.

You can check out some of the events at the following links:

<http://www.hawaii247.org/2009/10/14/hilo-wayfinding-and-navigation-festival-at-imiloa/>

<http://www.bigislandvideonews.com/2009/10october/20091019wayfinding.htm>

Mahalo to everyone for helping to make this event such a success!  
Hope to see you next year!



## In the Sky Garden

### Members-only, take-out pupu platters now available!



Looking for something to bring to your next family get-together but don't feel like cooking or shopping? Call or stop by the Sky Garden Restaurant at 'Imiloa and pick up a pupu platter for your next party! Your choice of:

Korean Chicken Wings (25 pieces) = \$20

Andy's Famous Salt-n-Pepper Shrimp (roughly 60-80 shrimp) = \$25

This is a members-only benefit and is available for a limited time, only through December 2009. Prices are a flat-rate and the member discount of 10% is not applicable. **Take out only.**

Call now! 969-9753.

## November Skies 2009

### Highlights from the Night Sky

Jupiter is in the south at sunset and is a great early-evening object to look for. If possible, explore with binoculars to see the Galilean Moons.

Mars rising at midnight in November, and while it is a bit faint, it is worth checking out.

Saturn rises around 3:00 am and is visible until sunrise. Small telescopes can easily reveal its wonderful rings.

Venus is low on the horizon at sunrise during November.

Mercury is too close to the Sun this month, and will not be visible.

The Taurid Meteor Shower peaks on the morning of Thursday, the 5. It typically has rates of 5-10 meteors per hour. Taurus rises around 9:00pm in November, so you can look for these in the late evening hours.

The Leonid Meteor Shower peaks on the morning of Tuesday, the 17. The shower is associated with Comet Temple-Tuttle, and usually has 15-20 per hour at its peak. The last major storm was in 1999/2000. The best time to look is in the early morning sky around 4:00 am.



### November's Celestial Calendar

Monday, Nov. 2 Hoku (Full Moon) at 9:14 pm

Thursday, Nov. 5 Ukali'ali'i (Mercury) in Superior Conjunction + Taurid Meteor Shower

Monday, Nov. 9 Kaloakukahi (Last Quarter Moon) at 5:56 am  
 Thursday, Nov. 12 Makulu (Saturn) 8° north of the Moon  
 Monday, Nov. 16 Muku (New Moon) at 9:14 pm  
 Tuesday, Nov. 17 Leonid Meteor Shower  
 Monday, Nov. 23 Ka'awela (Jupiter) 4° south of the Moon  
 Tuesday, Nov. 24 'Olekukahi (First Quarter Moon) at 11:39 am

## Keiki Programs and Opportunities

### Furlough Fridays Science Fun

Furlough Fridays Science Fun at 'Imiloa will provide a full day of science enrichment activities for your child (K-8 grade). Top-of-the-line science kits, equipment, and programs will get your kids excited about science! Programs are available for children in grades K-2, 3-4, and 5-8. The program runs from 9:00 am to 4:00 pm on every Furlough Friday. Extended care options are available from 7:30 am to 5:30 pm.

A monthly enrollment commitment is required. The basic price is as \$30 a day for non-members, and \$25 a day for members, including lunch and snacks. The extended care option costs \$10 extra each day. Additional discounts are available if you register for the entire year-long program.

The program is currently **full** and **sold out** - but a wait list is available. Call 969-9720 or email [cmitchell@imiloahawaii.org](mailto:cmitchell@imiloahawaii.org) for more information.



### Science Rocks!



Bring your keiki to 'Imiloa's *Science Rocks!* educational, interactive after-school program. With exciting new topics, *Science Rocks!* will be held every Wednesday that school is in session until May 19, 2010. This program is tailored for students in grades 4-6. *Science Rocks!* is held every Wednesday from 2:30 pm to 5:15 pm.

November 4: Energy II  
 November 18: Energy III  
 November 25: Properties of Matter

Each session is limited to 20 students and enrollment is necessary, costing \$15 per session. To access the enrollment form, please click [here](#). For more information, please call our School Programs Coordinator, Gail Loeffler, at 969-9729.

## Keiki Kilohoku Korner

### Activities every Saturday!

The Keiki Kilohoku Korner, or K-Cubed, is held every Saturday from 9:30 am - 11:00 am for the visitors who come to see *Legends of the Night Sky: Orion*, our 10:00 am keiki planetarium show. Educational activities will take place in 'Imiloa's atrium area. Storytelling, science demos, and

experiments will be offered weekly.

## November Maunakea Directors' Lecture Series: "HULA with New UHH 0.9-Meter Telescope"

**Saturday, November 21 at 7:00 pm in the planetarium**

On Saturday, November 21, at 7:00 pm, 'Imiloa Astronomy Center will host this month's popular *Maunakea Directors' Lecture Series* program. This month's program will be hosted by Dr. David James, director of the UHH Telescope, titled "HULA with New UHH 0.9-Meter Telescope."



Dr. David James is a new Assistant Professor of Astronomy at the University of Hawai'i at Hilo. Dr. James is also the director of the new UHH 0.9-meter telescope, which is to be located atop the summit of Mauna Kea. He gained a Bachelor's degree in Physics (with Astrophysics) from the University of London in 1992, and was awarded his Ph.D. in Astrophysics from the University of Birmingham in 1997. His research directives are centered around the evolution of rotation rate and lithium content of sun-like stars in young open clusters, like the Pleiades (M45) and the Hyades, both in the constellation of Taurus.

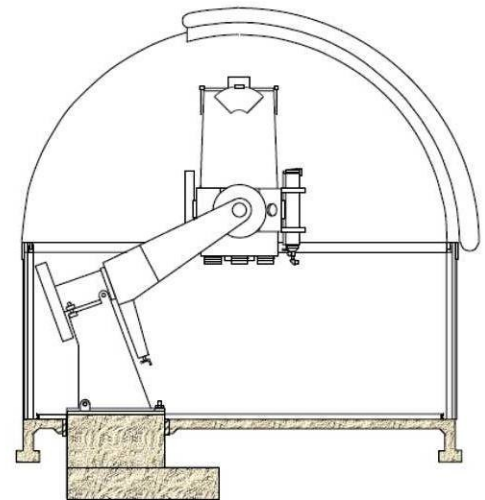
The University of Hawai'i at Hilo received funding from the National Science Foundation for an educational and research telescope on Mauna Kea, for the use of faculty and students. The UHH 0.9-m telescope, also called Hoku Ke'a, was built by Equinox Interscience of Golden, Colorado, and is scheduled to arrive in Hilo by the end of November. When fully instrumented, the observatory will be capable of conducting observations in all areas of modern observational astronomy, and of wide-field imaging surveys for extrasolar planets, supernovae, and other survey targets. The new educational observatory will be the world's only at a modern, major observatory site and will constitute an astronomy educational resource of unprecedented value to students and faculty.

The Sky Garden Restaurant will be open from 5:00 to 8:00 pm for dinner.

For more information about *Maunakea Directors' Lecture Series*, please visit the [Events](#), [What's New](#), and [Planetarium](#) pages at [imiloahawaii.org](http://imiloahawaii.org). The *Maunakea Directors' Lecture Series* begins at 7:00 pm and is now on the third Saturday of every month. Because this is the International Year of Astronomy, all *Maunakea Directors' Lecture Series* programs will be **free** for members and the community at-large throughout 2009. First come, first serve. Please plan to arrive at least 15 minutes in advance.

Questions? Please feel free to call Shawn Laatsch, 'Imiloa's Planetarium Manager at 969-9735 or our front desk at 969-9703.

U. of Hawaii/Hilo 36-Inch Telescope Installation  
Zenith Pointing



## In the Spotlight - Corporate Members and Sponsors

Mahalo to **Kamehameha Schools** for renewing their Corporate Membership at the \$5,000 level for the third year in a row! Visit their website at: <http://www.ksbe.edu/>

Mahalo to **KTA Super Stores** for their Corporate Sponsorship of Science-on-a-Sphere and 'Imiloa's Community Free day! Visit their website at: <http://www.ktasuperstores.com/>



For more information regarding Corporate opportunities, contact Nico Verissimo, Membership and Fund Development Manager, at 969-9732 or [nverissimo@imiloahawaii.org](mailto:nverissimo@imiloahawaii.org)

## In the Planetarium

### *Laser Beatles* and *Laser Zeppelin* - **NEW** music shows

'Imiloa is excited to announce the arrival of our new Friday night music shows, held in the planetarium. With the recent arrival of laser technology from Audio Visual Imagineering, Inc., 'Imiloa will be presenting the first in a series of laser music show productions, beginning on Friday, November 6, and running through Friday, December 4, at 7:30 and 9:00 pm.

# Laser Beatles

### *Laser Beatles* - **7:30 pm**

The Beatles, an English rock band, was formed in 1960. They quickly became one of the most commercially successful and critically acclaimed bands in the history of popular music; from rock'n'roll to the psychedelic, the Beatles' songs are enjoyed by all and are viable representatives of the 60's culture. This entertaining laser show includes the internationally-renowned hits: "Twist & Shout," "Help!,"

"A Hard Day's Night," and more! The program is approximately 36 minutes long.



### *Laser Zeppelin* - **9:00 pm**

Led Zeppelin, an English rock band, was formed in 1968. With their heavy, guitar-driven sound, Led Zeppelin is regarded as one of the first heavy metal bands, helping to pioneer the genre. However, the band's individualistic style was drawn from many sources and transcends any one genre: from folk and Celtic, to country and blues. This exciting laser show includes the rock'n'roll hits:

"Immigrant Song," "Stairway to Heaven," "Kashmir," and many more! The program is approximately 52 minutes long.

*Laser Beatles* (7:30 pm) and *Laser Zeppelin* (9:00 pm) will play every Friday night in the 'Imiloa planetarium.

Rock show admission rates are as follows:

- Non-member rate.....\$10
- Individual Member (\$50).....\$8
- Dual Member (\$60).....\$8
- Family Member (\$85).....\$8
- Patron Member (\$125).....\$6
- Silver Member (\$250).....FREE
- Gold Member (\$500).....FREE

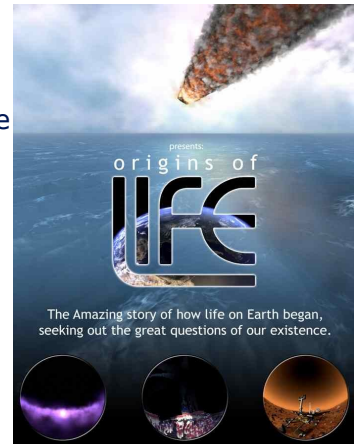
**Plan Ahead:** *Laser Hypnotica* will play on December 11 and 18, as well as January 8 and 15.

To make reservations, or to upgrade your membership to take advantage of deeper discounts, please call 969-9703 or visit our front desk.

**Origins of Life - November 7**

*Origins of Life* starts off with the Big Bang and, moving in chronological order, explores the prebiotic chemistry of the universe, the formation of the stars and solar systems, as well as the first signs of life on our planet. Furthermore, *Origins of Life* covers the great extinctions as well as our search for (primitive) life beyond Earth. This show is an inspirational journey through time and a celebration of life on Earth. The program will include a live tour of the night sky, featuring stars, constellations, and planets.

*Origins of Life* opens to the general public on Saturday, November 7, and will be shown daily at 1:00 pm and 3:00 pm. *Origins of Life* will be replacing *Seven Wonders*.



**Legends of the Night Sky: Orion - November 7**

Starting on Saturday, November 7, the *Legends of the Night Sky: Orion* returns to 'Imiloa as the Saturday morning keiki planetarium show. This colorful and entertaining program is the world's first traditionally animated fulldome movie. The show takes an imaginative look at the stories and legends about Orion, the great hunter of the winter sky. It's an ideal show for family audiences and younger viewers.

*Legends of the Night Sky: Orion* will be playing every Saturday at 10:00 am and will be supplemented with the Keiki Kilohoku Korner, held from 9:00 am to 11:00 am.

**Laser Holidays - November 28**

Starting on Saturday, November 28, and running until Saturday, December 19, the 'Imiloa planetarium will be playing the brand new *Laser Holidays*, a planetarium show featuring all of the classic holiday songs. With favorites such as "Deck the Halls," "Frosty the Snowman," and "Jingle Bell Rock," this is one holiday event you don't want to miss!



*Laser Holidays* will show each Saturday and Sunday at 12:00 pm from Nov. 28 through Dec. 27.



### *Mystery of the Christmas Star* - **November 28**

Back by popular demand, this half-hour show takes us on a journey back 2000 years to Bethlehem in order to discover a scientific explanation for the Star that the Wise Men followed to find the baby Jesus. This modern re-telling of the Christmas Story is sure to charm and captivate audiences of all ages.

From Saturday, November 28, to Thursday, December 31, the *Mystery of the Christmas Star* will be shown once daily at 3:00 pm, replacing the second time-slot of *Origins of Life*.

The cost of one planetarium show is included in the admission price. Visitors who wish to see additional shows will be charged; discounts for kama'aina and keiki are available. Members are welcome to see as many shows as they would like.

## 'Imiloa Astronomy Center

[Join Our Mailing List!](#)

To ensure delivery of 'Imiloa Astronomy Center e-mails to your inbox (not bulk or junk folders), please add [membership@imiloahawaii.org](mailto:membership@imiloahawaii.org) to your address book.

If you or someone you know isn't receiving Kilolani on a regular basis, please call us at (808) 969-9732 or email us at [membership@imiloahawaii.org](mailto:membership@imiloahawaii.org) so we can investigate for you!

## 'Imiloa Astronomy Center

Membership and Fund Development Office  
600 'Imiloa Place Hilo, HI 96720

*Nico Verissimo - Membership and Fund Development Manager*  
(808) 969-9732  
[nverissimo@imiloahawaii.org](mailto:nverissimo@imiloahawaii.org)  
[membership@imiloahawaii.org](mailto:membership@imiloahawaii.org)

*Tara Ballard - Membership Assistant*  
(808) 969-9719  
[tballard@imiloahawaii.org](mailto:tballard@imiloahawaii.org)

*Front Desk Superstars*  
(808) 969-9703

####